



PLASTEC VENTILATION, INC.

www.indventech.com

sales@indventech.com

888-864-4344

Submittal Data and Specifications

Mounting Brackets (MB)

Material of Construction:

Body is made of pickled steel with hammered black paint finish.

Application:

Provides rigid support of motor and blower. Provides flange with prepunched holes for securing to rigid support to help prevent vibration. MB15 through MB35 for inside use.

Manufacturer:

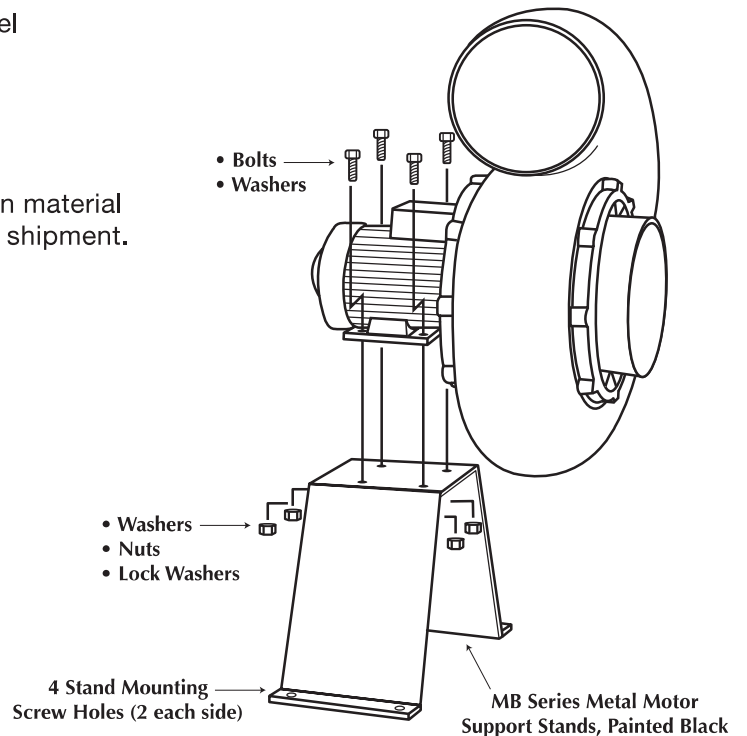
Shall be manufactured under the authority of Plastec Ventilation, Inc.

Shall have the following Features and Benefits:

- Attractive Design
- Easy to install
- Motor mounting hardware supplied is stainless steel
- Strong, durable and rust resistant
- Model MB35 has support bracket

Warranty:

This equipment is warranted to be free from defects in material and workmanship for **two years** from date of original shipment. For the complete warranty agreement, see I, O & M on www.plastevent.net.



For dimensional data, see Plastec's Performance and Dimensional Data Sheets.

PROJECT			ARCHITECT
CONTRACTOR	DATE	SUBMITTED BY	ENGINEER
SPECIFICATION			
RELATED FAN POSITION	MODEL #	QTY	NOTES